

MKSJP - SINGLE JET COLD WATER METER DN15-25



WATER MEASUREMENT



The Metron MKSJP range of WRAS approved single-jet dry dial water meters are designed to measure the flow and quantity of cold water of the temperature up to 30°C or hot water of the temperature up to 90°C. Communication protocols such as pulse, RF and MBUS outputs enables remote readings to be used in conjunction with a wide range of building management systems (BMS). The construction of the water meter gives the possibility of its installation both in a horizontal position with the counter directed upward (H) and in a vertical position with the counter directed aside (V). Thanks to the use of a rotary counter enabling easy readings, it perfectly proves itself in different assembly positions.

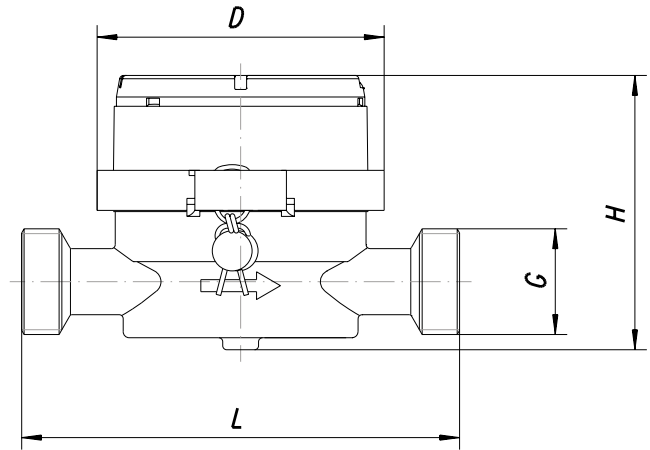
MKSJP - Key Features

- Resistance to external magnetic field above the requirements of the norm PN-EN 14154.
- Available in 15mm, 20mm and 25mm sizes.
- Remote readings – water meter adapted to the assembly of the RF front-end for the communication in protocols such as wireless M-BUS, pulse, RF and RS 485.
- Possibility of alarm signaling – has the possibility of communicating with a leak detection system for added security.
- Metrological properties – fulfillment of newest meteorological requirements (MID).
- Indication reliability by:
division of the water meter into the wet part with measuring body and the dry part with counting mechanism.
solid and tested and simultaneously permanently improved construction.
high service life.
- Easily reading by:
hermetic counting resistant to fogging.
legible digits on the barrels in two colours, enabling the accurate reading.
counter rotation within 360°C.
Protection against mechanical external interference – by the strengthened construction of the counting mechanism housing.

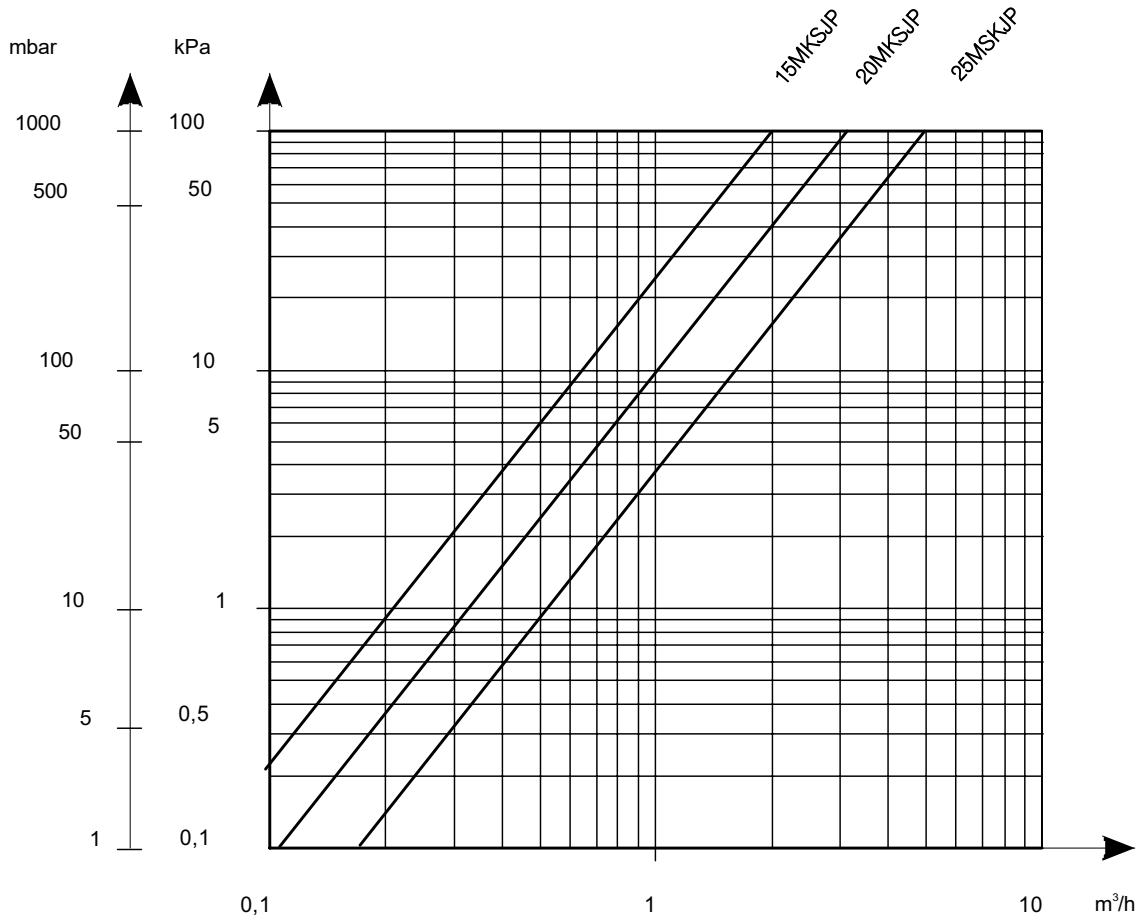
MKSJP - TECHNICAL DATA



Size	mm	15	20	25
	Inches	1/2"	3/4"	1"
Maximum flow rate	m ³ /h	3	5	7
Nominal flow rate	m ³ /h	1.5	2.5	3.5
Transitional flow rate	l/h	120	200	280
Minimum flow rate	l/h	30	50	70
Maximum pressure	bar	16		
Pressure drop (at max qty)	bar	<1		
Sensitivity	l/h	<10	<15	<20
Minimum reading	litres	0.05		
Maximum reading	m ³	99.999		
Weight	kg	0.75	1	1.2



Pressure loss chart



Connection elements

DN	G	g	d	L
	inch	inch	mm	mm
15	3/4	1/2	17	40
20	1	3/4	23	50

TECHNICAL DATA



Single Jet & Multi Jet
Water Meters WRAS approved



Woltmann Water Meters
WRAS approved



Hot Water Meters 130°C
MID approved



HEAT Meters RHI Compliant
MID approved