

# MKMJP - MULTI JET WATER METER DN15-50



WATER MEASUREMENT



BREEAM®

The Metron MKMJP range of WRAS and MID approved MULTI JET type dry dial water meters are designed to measure the flow and quantity of cold water up to 30°C or hot water up to 130°C. Communication protocols such as pulse, RF and MBUS outputs enables remote readings to be used in conjunction with a wide range of building management systems (BMS). The construction of the water meter gives the possibility of its installation both in a horizontal position with the counter directed upward (H) and in a vertical position with the counter directed aside (V). Thanks to the use of a rotary counter enabling easy readings, it perfectly proves itself in different assembly positions.

## MKMJP - Key Features

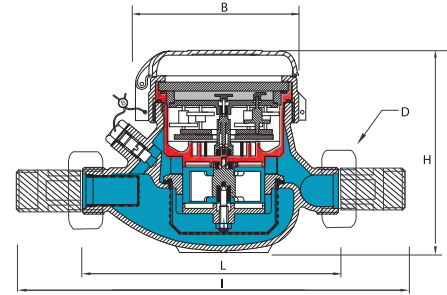
- Resistance to external magnetic field above the requirements of the norm PN-EN 14154.
- Available in sizes DN15-DN50
- Remote readings – water meter adapted to the assembly of the RF front-end for the communication in protocols such as wireless M-BUS, pulse, RF and RS 485.
- Possibility of alarm signaling – has the possibility of communicating with a leak detection system for added security.
- Metrological properties – fulfillment of newest meteorological requirements (MID).
- Indication reliability by:  
division of the water meter into the wet part with measuring body and the dry part with counting mechanism.  
solid and tested and simultaneously permanently improved construction.  
high service life.
- Easily reading by:  
hermetic counting resistant to fogging.  
legible digits on the barrels in two colours, enabling the accurate reading.  
counter rotation within 360°C.  
Protection against mechanical external interference – by the strengthened construction of the counting mechanism housing.

# MKMJP - TECHNICAL DATA

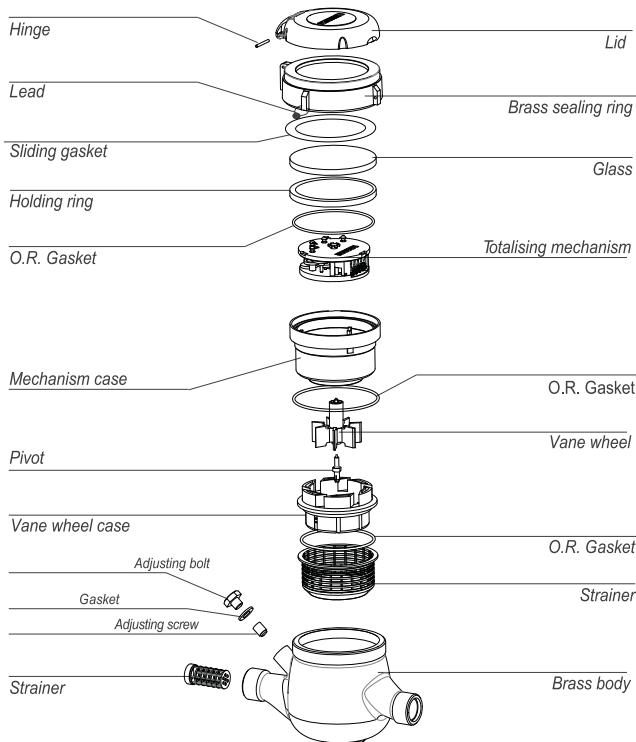


Size	DN	mm in	15 (1/2")	20 (3/4")	25 (1")	32 (1 1/4")	40 (1 1/2")	50 (2")
Overload flow rate Q <sub>4</sub>	Q <sub>4</sub>	m <sup>3</sup> /h	3,125	5	7,875	12,5	20	31,25
	Permanent flow rate Q <sub>3</sub>	Q <sub>3</sub>	m <sup>3</sup> /h	2,5	4	6,3	10	16
R = 100 H	Transitional flow rate Q <sub>2</sub>	l/h	40	64	100,8	160	256	400
	Min flow rate Q <sub>1</sub>	l/h	25	40	63	100	160	250
R = 160 H	Transitional Flow rate Q <sub>2</sub>	l/h	25	40	63	100	160	250
	Min flow rate Q <sub>1</sub>	l/h	15,63	25	39,38	62,5	100	156,25
Sensitivity		l/h	6	6	10	10	20	20
	Min reading	l	0,05	0,05	0,05	0,05	0,05	0,05
	Max reading	m <sup>3</sup>	99.999	99.999	99.999	99.999	999.999	999.999
	Max admissible pressure	bar	16	16	16	16	16	16

Dimensions and Weights



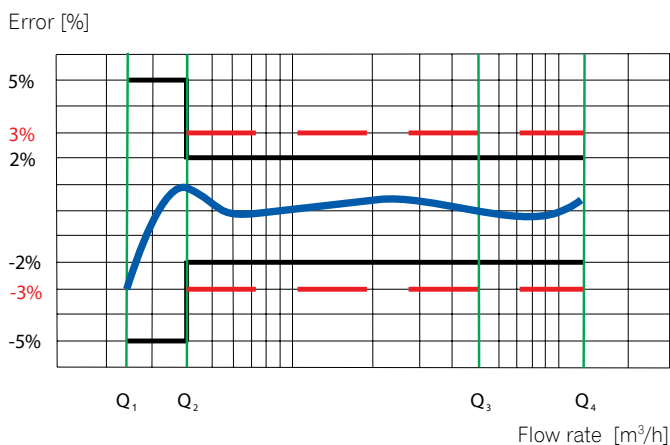
Size	mm in	15 (1/2")	20 (3/4")	25 (1")	32 (1 1/4")	40 (1 1/2")	50 (2")
L	mm	145-165-190	190	260	260	300	300
l	mm	225-245-270	290	360	380	440	460
H	mm	109	111	117	117	153	172
B	mm	100	100	104	104	126	160
D <sub>Threading</sub>	mm	3/4"	1"	1 1/4"	1 1/2"	2"	2 1/2"
Weight	kg	1,35	1,45	2,04	2,11	4,58	7,25



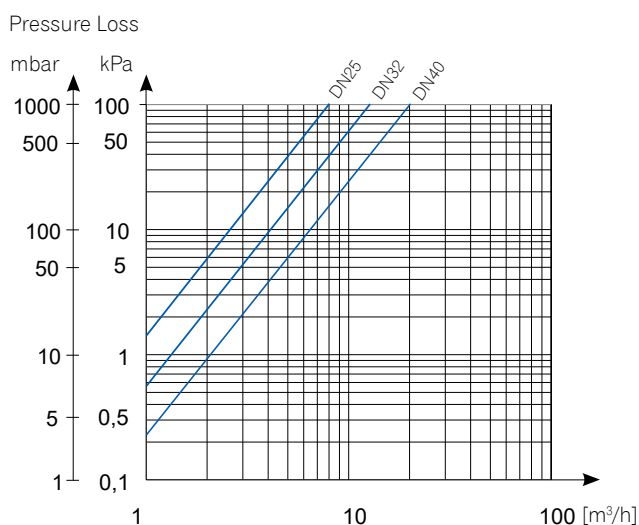
# MKMJP - TECHNICAL DATA



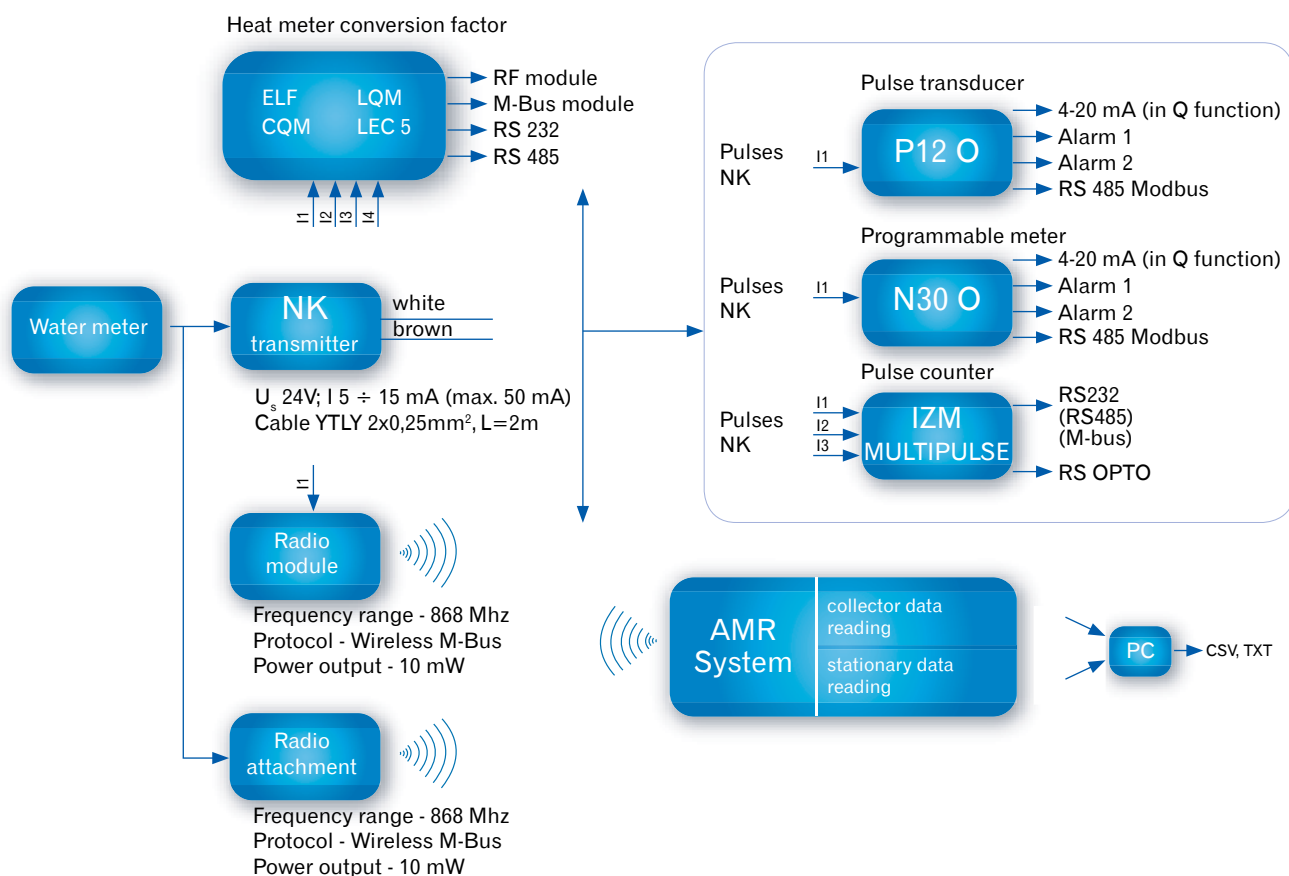
TYPICAL ERROR CHART



PRESSURE LOSS CHART



## REMOTE READING TRANSMISSION, FLOW RATE, MEASUREMENT



TECHNICAL DATA

