



# MK456 Semi Buried Gas Meter Box



## KEY FEATURES:

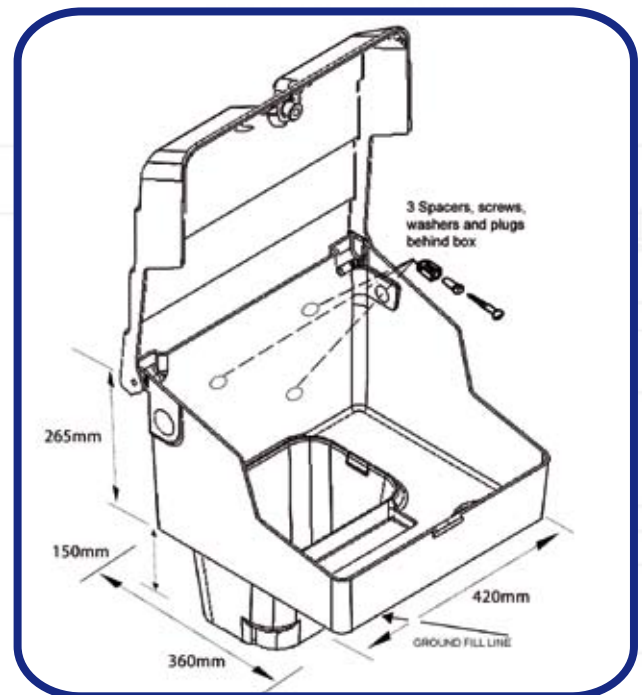
Weather resistant.  
Will not rot or corrode. Suitable for U6 metal case domestic gas meters.

## SPECIFICATION:

Approved by British Gas Connections,  
Manufactured in the National Grid Gas PRS8 Specification material.

## INSTALLATION:

The gas service entry is below ground to the bottom left of the meter box where a built-in entry boss is located. The outlet position is located at the top right hand side of the box. This can be ignored if rear or left hand exit is preferred (a new hole would need to be drilled in these circumstances). The meter is placed in the well of the box and can be sealed to the top edge with the use of the neoprene seal (sold separately).



Architects • Builders • Designers • Specifiers • Contractors • Housing Associations • Local Authorities

**METRON**

15 Firs Road  
Houghton On The Hill  
Leicester LE7 9GU

Tel: 0116 2413172  
Fax: 0116 2413367