

Batch control water meter Lambda-SA

The Lambda- batch indicator with electronic output offers a low cost solution for accurately controlling batched quantities of water with a choice of dial scales from 100 to 2000 litres.

A preset adjuster allows you to visually set the batch quantity desired. The flow of water can then be controlled by a solenoid valve or pump which will stop the water flow when an output signal (Vol-free contact) is given by the Lambda- upon batch completion.

The Lambda- is designed for robust day-to-day usage and features a toughened glass face and rugged brass lid to protect the unit from knocks.

The Lambda- is capable of delivering large volumes of water quickly and accurately thanks to it's low pressure loss design and accurate axial turbine impellar with laminar flow conditioner.

Suitable for installation in vertical, horizontal or inclined pipe-work the Lambda- is extremely versatile.

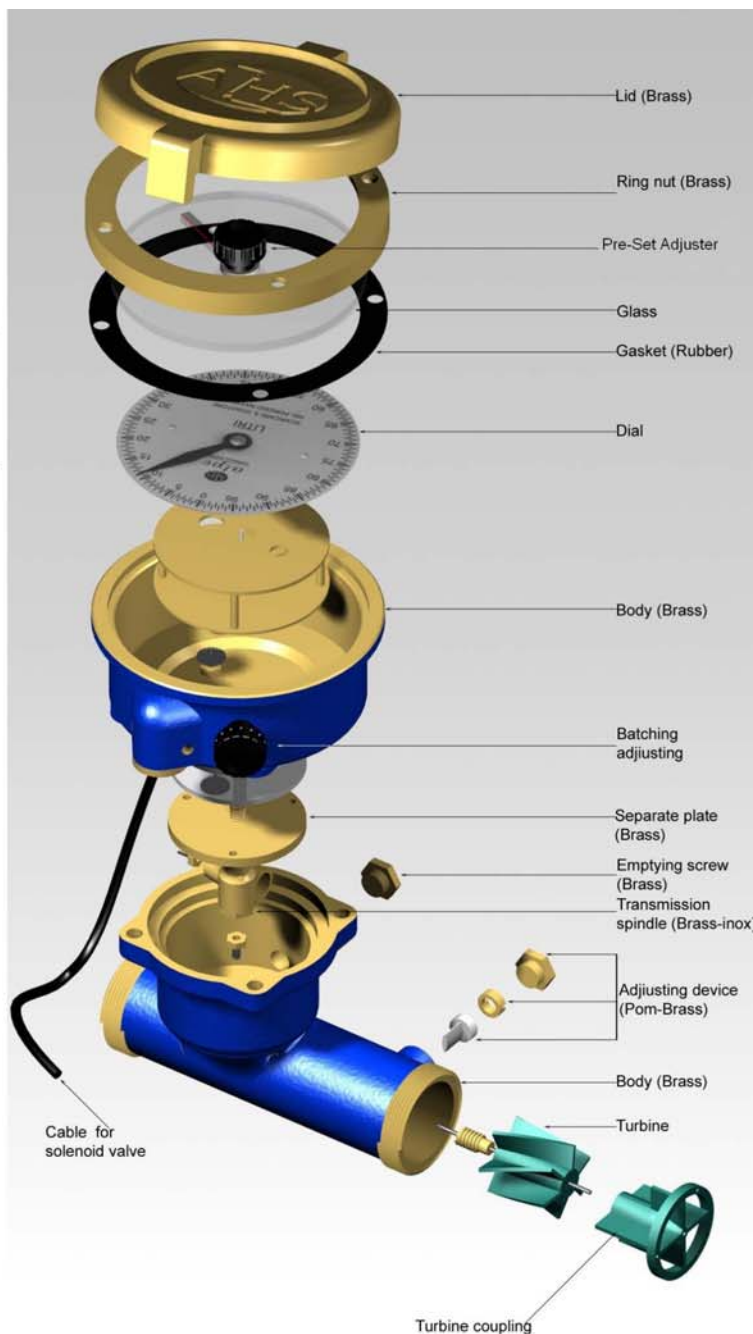
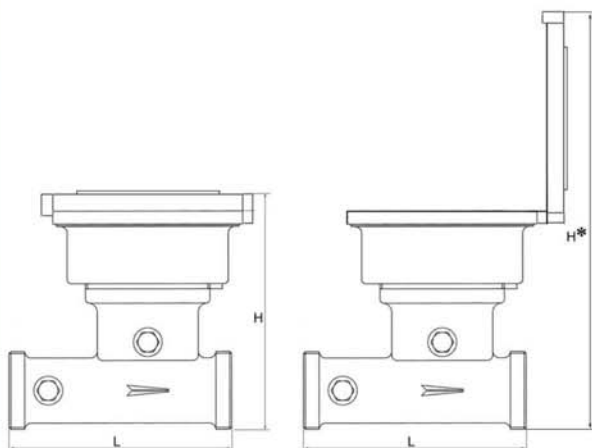
For maximum service life in the field and maintained accuracy of reading, the following usage guidelines should be followed: ref max flow rates and max daily delivery throughput.

$$3,6 V/t < Q \quad \begin{array}{l} V = \text{batch volume of water in litres} \\ t = \text{time per batch in seconds} \\ Q = \text{max flow rate in m}^3/\text{h} \end{array}$$

$$nhV/1000 < E \quad \begin{array}{l} n = \text{number of batch per hour} \\ h = \text{number of hour} \\ E = \text{max delivery in m}^3 \end{array}$$

Usage:

1. Adjust Pre-set indicator to required batch size
2. Start batch - automatic output when Pre-set reached
3. Reset revolving pointer with batch adjuster to zero



DN mm	DN inches	Q _{max} m ³ /h	Q _t ±2% m ³ /h	Daily delivery m ³	Dial-reading litres	L mm	H mm	H* mm
40	1.1/2"	20	3	200	100-200-500-1000	170	190	335
50	2"	30	5,5	300	500-1000-2000	200	198	340

Metron f.m.c Ltd

Tel: 0116 2413172
Fax: 0116 2413367